

Bradley
AUSTRALIA

customised excellence

www.bradleyaustralia.com

MODEL TR008 SURFACE MOUNTED TOILET ROLL HOLDER

Option:
TR023 Double Toilet Roll Holder



PRODUCT FEATURES:

TRIUMPH TR008

- Polished stainless steel
- Two post assembly with spindle

Overall Dimensions

160mm W centres

x 75mm projection

PRODUCT DATA:

CONSTRUCTION:

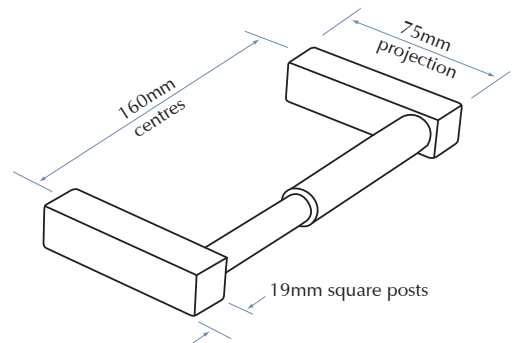
Units fabricated of polished stainless steel with 19mm square posts.

CAPACITY:

TR008: Holds one standard core toilet tissue roll.
(Bradley Model 4004 x 2 Ply and Bradley Model 4008 x 1 Ply)

INSTALLATION:

Secure to wall with mounting screws (included) at holes provided.



TOLL FREE 1300 364 561

The manufacturer reserves the right to make changes in design and material without formal notice and without incurring obligation.