

Bradley
AUSTRALIA

customised excellence

www.bradleyaustralia.com

MODEL TR023 SURFACE MOUNTED TOILET ROLL HOLDER

Option:
TR008 Single Toilet Roll Holder

PRODUCT FEATURES:

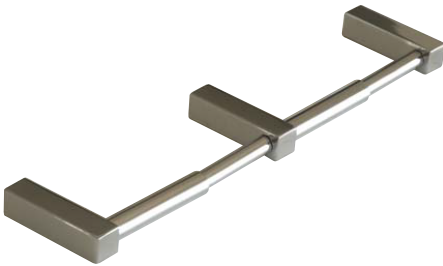
TRIUMPH TR023

- Polished stainless steel
- Three post assembly with spindle

Overall Dimensions

160mm x 160mm W centres

x 75mm projection



PRODUCT DATA:

CONSTRUCTION:

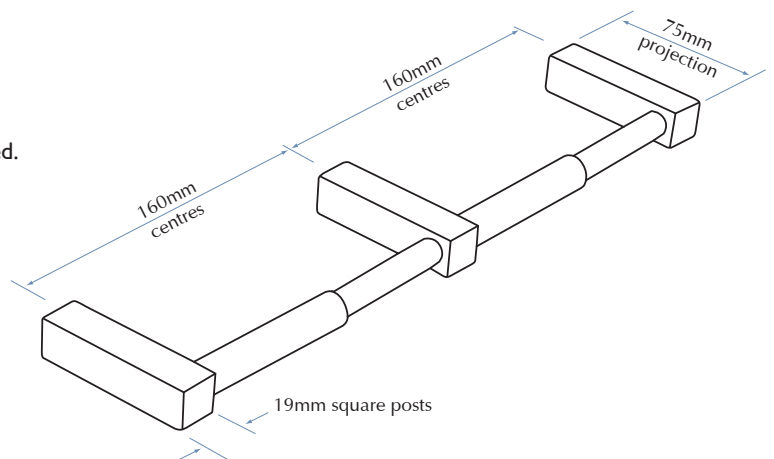
Units fabricated of polished stainless steel with 19mm square posts.

CAPACITY:

TR023: Holds two standard core toilet tissue rolls.
(Bradley Model 4004 x 2 Ply and Bradley Model 4008 x 1 Ply)

INSTALLATION:

Secure to wall with mounting screws (included) at holes provided.



TOLL FREE 1300 364 561

The manufacturer reserves the right to make changes in design and material without formal notice and without incurring obligation.