

Bradley
AUSTRALIA

customised excellence

www.bradleyaustralia.com

MODEL TR034 TRIUMPH TOWEL RING



PRODUCT FEATURES:

TRIUMPH TOWEL RING TR034

- Polished stainless steel

Overall Dimensions

55mm projection

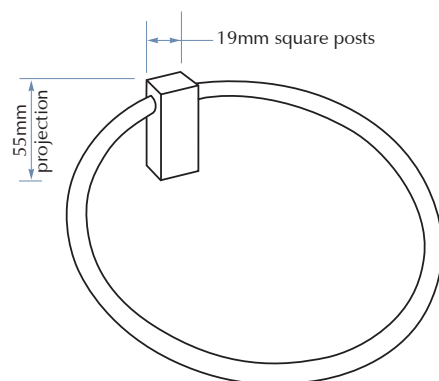
PRODUCT DATA:

CONSTRUCTION:

Units fabricated of polished stainless steel with 19mm square posts.

INSTALLATION:

Secure to wall with mounting screws (included) at holes provided.



TOLL FREE 1300 364 561

The manufacturer reserves the right to make changes in design and material without formal notice and without incurring obligation.