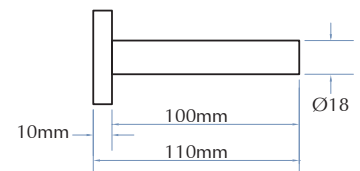
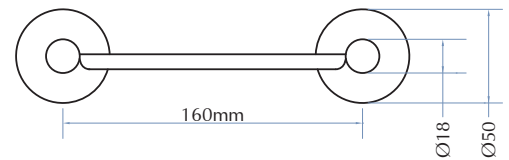
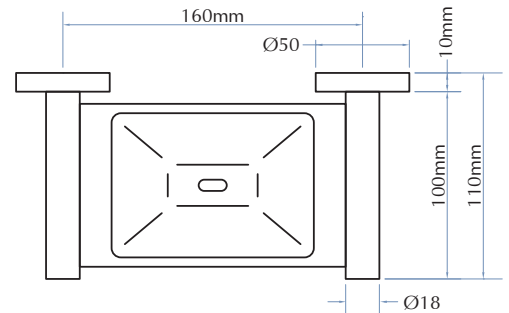


MODEL DY02 I**DYNAMIC SOAP DISH****DY02 I****PRODUCT FEATURES:**

- Brushed satin finish stainless steel
- With two post assembly
- Soap dish with drain hole
- Surface mounted
- AS 1428.1 Compliant

Overall Dimensions
160mm W centres x 110mm projection

**PRODUCT DATA:****CONSTRUCTION:**

Fabricated of brushed satin finish stainless steel with 18mm diameter posts.

INSTALLATION:

Secure to wall with mounting screws (included) at holes provided.

GUIDE SPECIFICATION:

Soap dish shall be fabricated of brushed satin finish stainless steel with concealed mounting flanges in sizes and configurations as indicated.