

Bradley
AUSTRALIA

customised excellence

www.bradleyaustralia.com

MODEL SR00822

Options:

SR0081 - Sorrento Single Toilet Roll Holder

SORRENTO DOUBLE TOILET ROLL HOLDER SR00822



PRODUCT FEATURES:

- Polished finish stainless steel
- Surface mounted
- AS1428 compliant

Overall Dimensions
270mm W
Unit projects 80mm from wall

PRODUCT DATA:

CONSTRUCTION:

Units fabricated of type 304 polished stainless steel with stainless steel fixing screw. AS1428 compliant.

CAPACITY

Unit holds two standard core toilet tissue rolls.

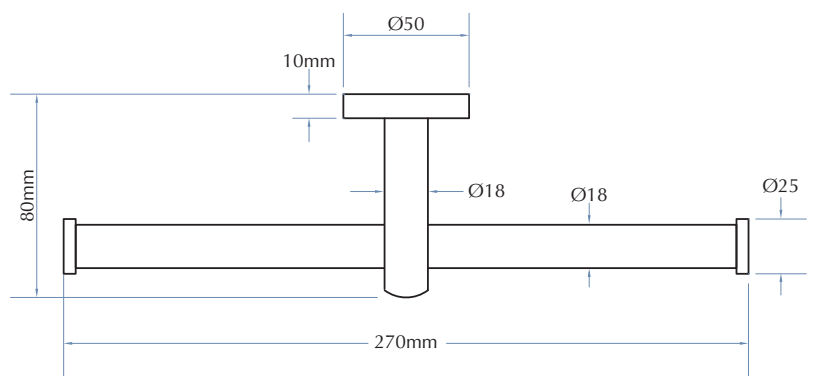
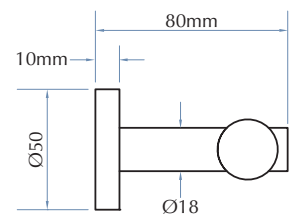
(Bradley Model 4004 x 2 Ply and Bradley Model 4008 x 1 Ply)

INSTALLATION:

Secure to wall with mounting screw (included) at hole provided.

GUIDE SPECIFICATION:

Unit shall be fabricated of type 304 polished finish stainless steel with concealed mounting flange in size as indicated.



TOLL FREE 1300 364 561

The manufacturer reserves the right to make changes in design and material without formal notice and without incurring obligation.