

Bradley
AUSTRALIA

customised excellence

MODEL SR00822-MB
SORRENTO DESIGNER BLACK
DOUBLE TOILET ROLL HOLDER

www.bradleyaustralia.com



PRODUCT FEATURES:

- Matte black finish stainless steel
- Surface mounted
- AS 1428.1 compliant

Overall Dimensions:
270mm W x 50mm H x
Unit projects 80mm from wall

PRODUCT DATA:

CONSTRUCTION:

Units fabricated of type 304 matte black finish stainless steel with stainless steel fixing screw. AS 1428.1 compliant.

CAPACITY:

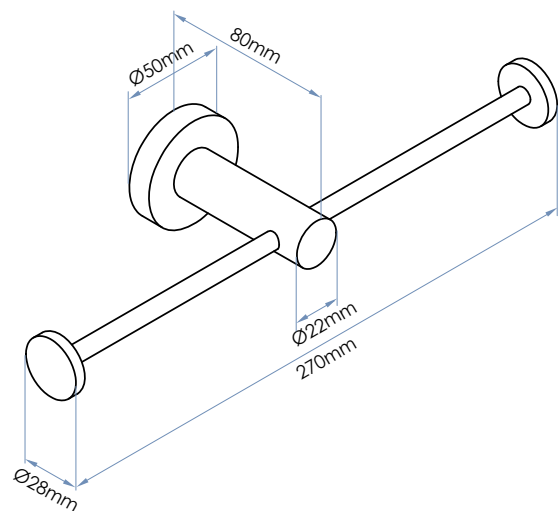
Unit holds two standard core toilet tissue rolls.
(Badleycare 4007, 400 sheet per role 2ply rolls deliver superior softness, high absorbency and comfort.)

INSTALLATION:

Secure to wall with mounting screw (included) at hole provided.

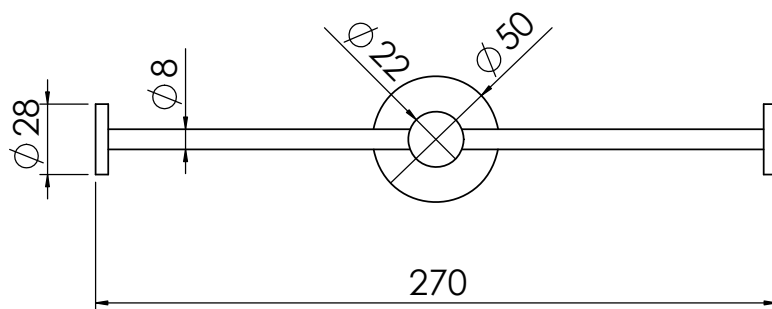
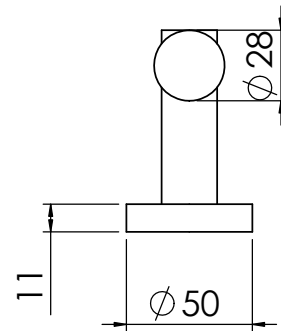
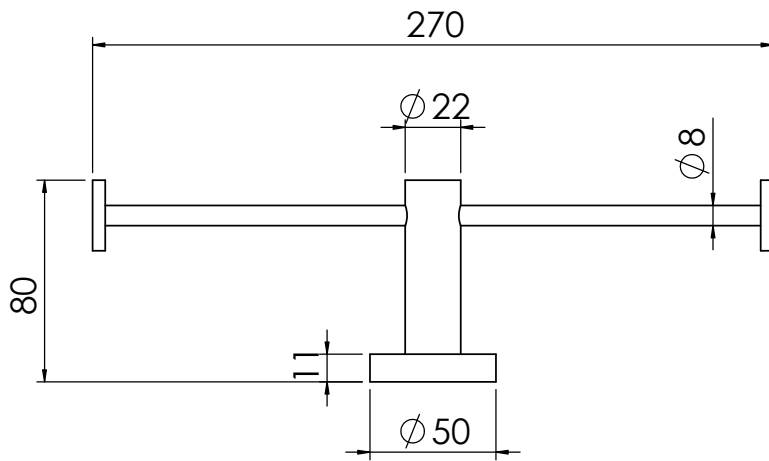
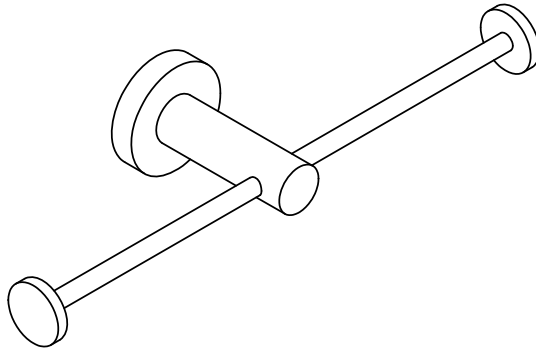
GUIDE SPECIFICATION:

Double toilet roll holder unit shall be fabricated of type 304 Stainless steel powder coated in Matte Black finish, with concealed mounting flange 10mm x 50mm D as indicated. With overall dimension of 270mm W unit projects 80mm from wall and configuration as indicated.



SR00822-MB

SORRENTO DESIGNER BLACK DOUBLE TOILET ROLL HOLDER



Bradley
AUSTRALIA
customised excellence

DWG NO.

SR00822-MB

APPROVED BY:

Proudly customised design please approve

SCALE:1:5