

Bradley
AUSTRALIA

customised excellence

www.bradleyaustralia.com

MODEL SR02 I

SORRENTO SOAP DISH



PRODUCT FEATURES:

- Polished stainless steel
 - With two post assembly
 - Soap dish with drain hole
 - Surface mounted
 - AS 1428.1 Compliant
- Overall Dimensions
160mm W centres x 110mm projection

PRODUCT DATA:

CONSTRUCTION:

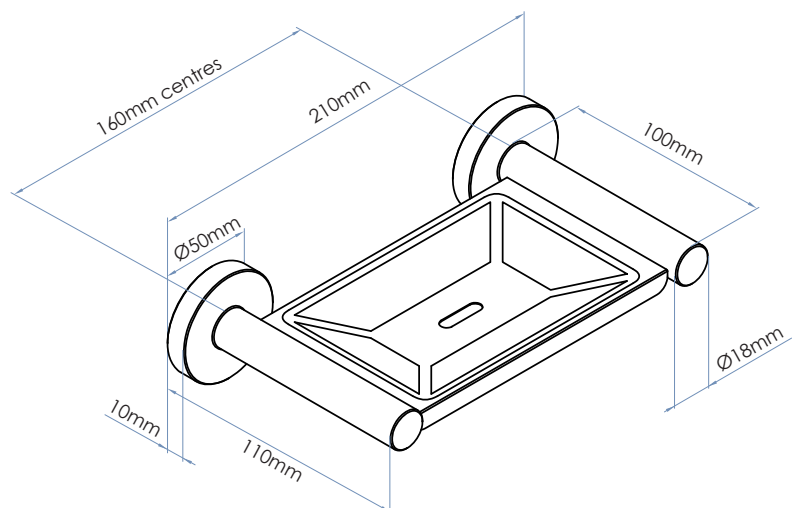
Fabricated of polished stainless steel with 18mm diameter posts.

INSTALLATION:

Secure to wall with mounting screws (included) at holes provided.

GUIDE SPECIFICATION:

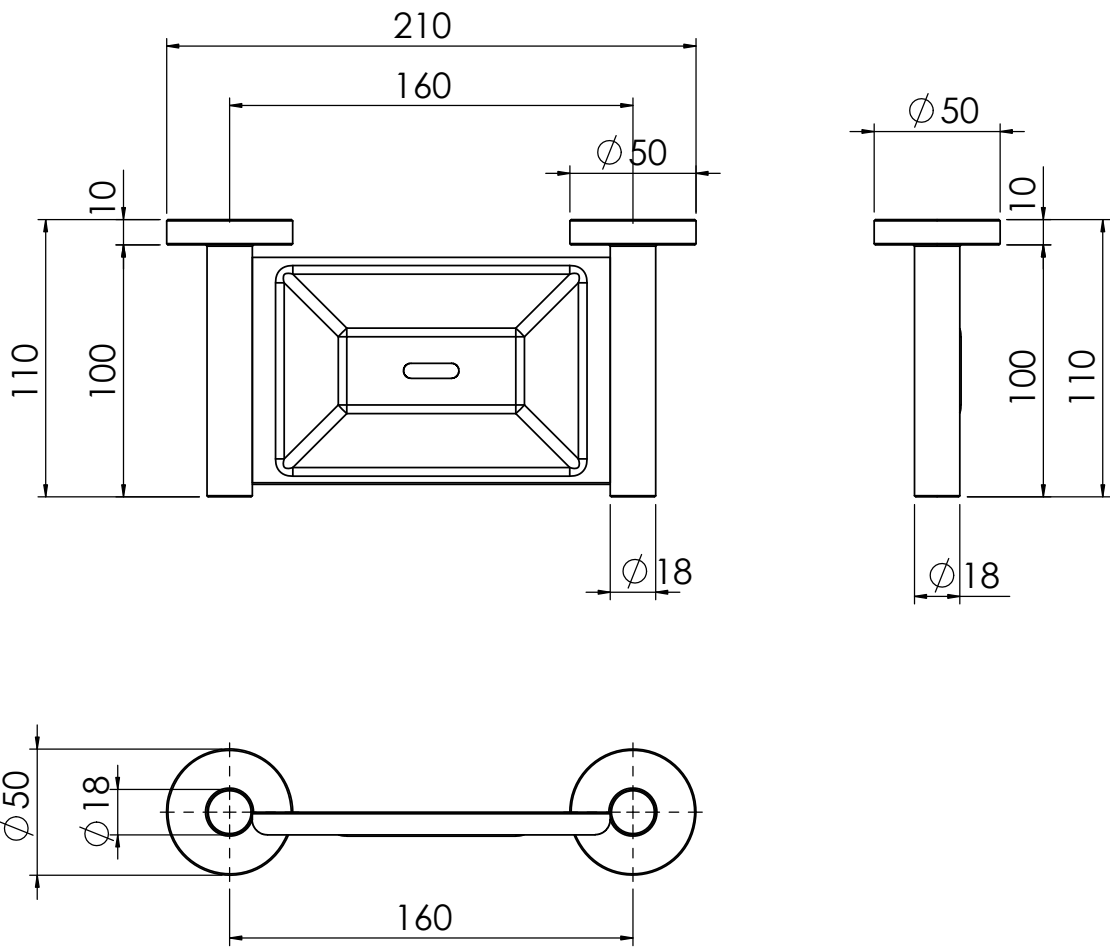
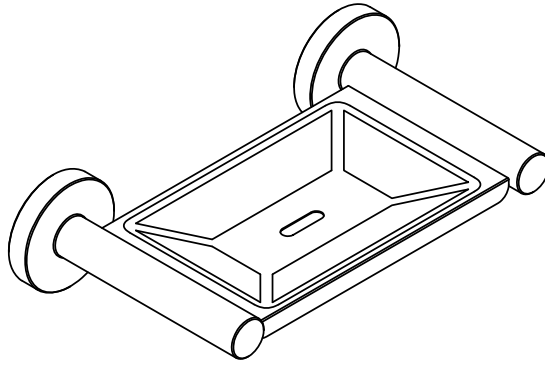
Soap dish shall be fabricated of polished stainless steel with concealed mounting flanges in sizes and configurations as indicated.



1300 364 561

The manufacturer reserves the right to make changes in design and material without formal notice and without incurring obligation.

SR021
SORRENTO SOAP DISH



Bradley
AUSTRALIA
customised excellence

DWG NO.	SR021
APPROVED BY:	
Proudly customised design please approve	SCALE:1:3