



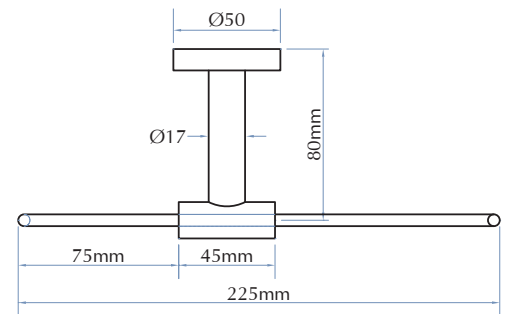
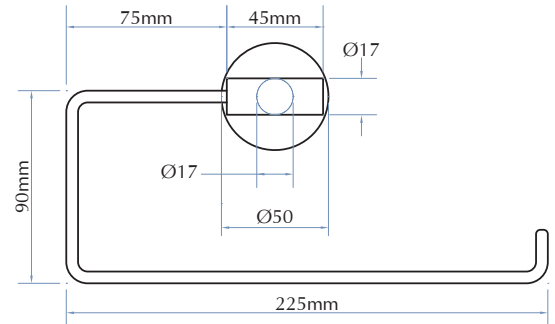
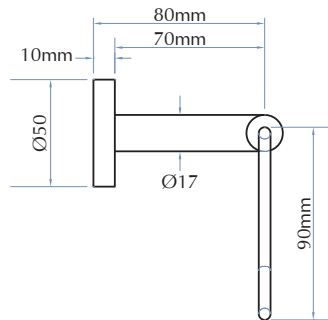
#### PRODUCT FEATURES:

##### SORRENTO TOWEL RING SR034

- Surface Mounted
  - Polished stainless steel
- Overall Dimensions  
225mm W x 88.5mm projection

##### SORRENTO TOWEL RACK SRI0590

- Surface Mounted
  - Polished stainless steel
- Overall Dimensions  
600mm W x 232mm projection



#### PRODUCT DATA:

##### CONSTRUCTION:

Units fabricated of polished stainless steel.

##### INSTALLATION:

Secure to wall with mounting screws (included) at holes provided.

