

# Bradley

## MODEL SR05 I I-MB

### SORRENTO DESIGNER TOILET BRUSH HOLDER

Options:

SR05 I I: Bright Finish

SR05 I I-BB: Brushed Brass Finish

SR05 I I-S: Satin Finish



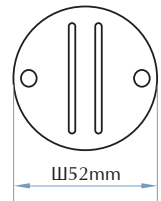
#### PRODUCT FEATURES:

- Matte black finish stainless steel
- Surface mounted
- Product can be floor standing or wall mounted
- Easily removable toilet brush head for ease of cleaning

Overall dimensions:  
93mm W x 93mm D x 431mm H



Wall Attachment



#### PRODUCT DATA:

##### CONSTRUCTION:

Unit fabricated of type 304 matte black finish stainless steel.

Powdercoated in matte black.

##### CAPACITY:

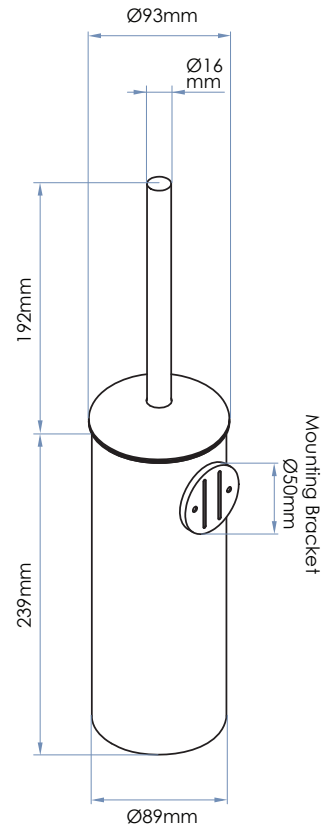
Unit holds one easily removable toilet brush head.

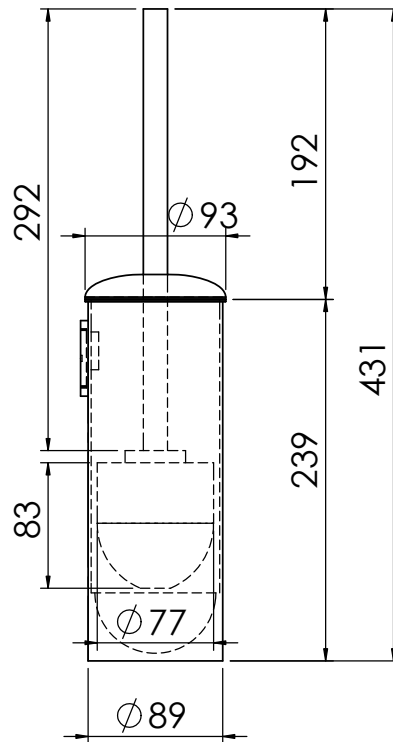
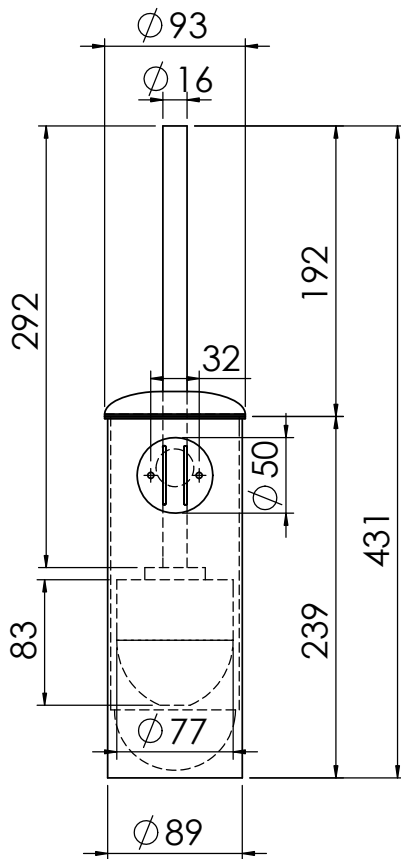
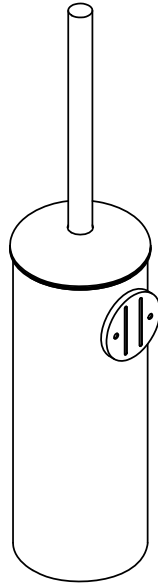
##### INSTALLATION:

Secure wall attachment with mounting screws (included) at holes provided. Attach canister to mounting bracket and slide down to lock into position.

##### GUIDE SPECIFICATION:

Toilet brush holder unit shall be fabricated of type 304 Stainless steel powder coated in matte black finish. Floor standing or wall mounted with wall attachment provided. With overall dimension of approximately 88mm W x 98mm D x 540mm H.





**Bradley**

DWG NO. SR0511-MB

APPROVED BY:

Proudly customised design please approve SCALE:1:5