

Bradley

MODEL SR05 I I SORRENTO DESIGNER TOILET BRUSH HOLDER

Options:
SR05 I I-BB: Brushed Brass
SR05 I I-MB: Matte Black Finish
SR05 I I-S: Satin Finish



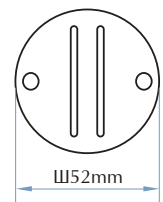
PRODUCT FEATURES:

- Bright finish stainless steel
- Surface mounted
- Product can be floor standing or wall mounted
- Easily removable toilet brush head for ease of cleaning

Overall dimensions:
93mm W x 93mm D x 431mm H



Wall Attachment



PRODUCT DATA:

CONSTRUCTION:

Unit fabricated of type 304 bright finish stainless steel.

Powdercoated in bright.

CAPACITY:

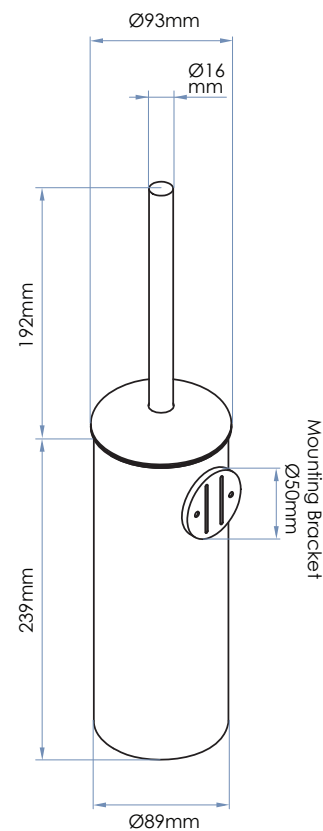
Unit holds one easily removable toilet brush head.

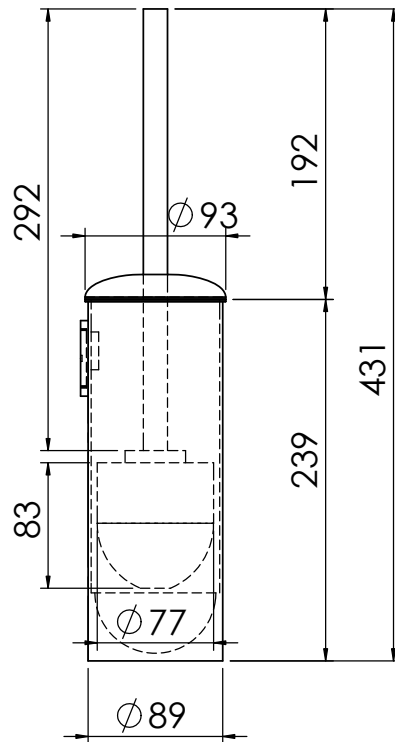
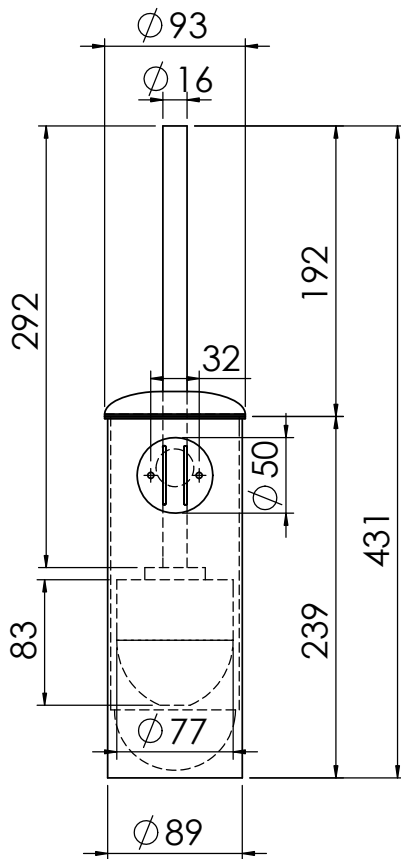
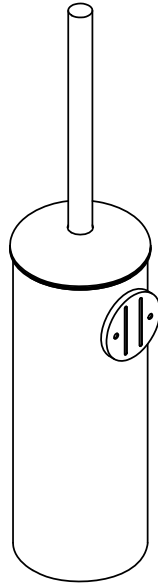
INSTALLATION:

Secure wall attachment with mounting screws (included) at holes provided. Attach canister to mounting bracket and slide down to lock into position.

GUIDE SPECIFICATION:

Toilet brush holder unit shall be fabricated of type 304 stainless steel powder coated in bright finish. Floor standing or wall mounted with wall attachment provided. With overall dimension of approximately 88mm W x 98mm D x 540mm H.





Bradley

DWG NO. SR0511

APPROVED BY:

Proudly customised design please approve SCALE:1:5