

**Bradley**  
AUSTRALIA

customised excellence

[www.bradleyaustralia.com](http://www.bradleyaustralia.com)

## MODEL TS034 TRESOR SERIES TOWEL RING



### PRODUCT FEATURES:

- Die cast chrome plated
  - Surface mounted
- Overall Dimensions  
150mm W x 50mm projection  
with 45mm dia backplate

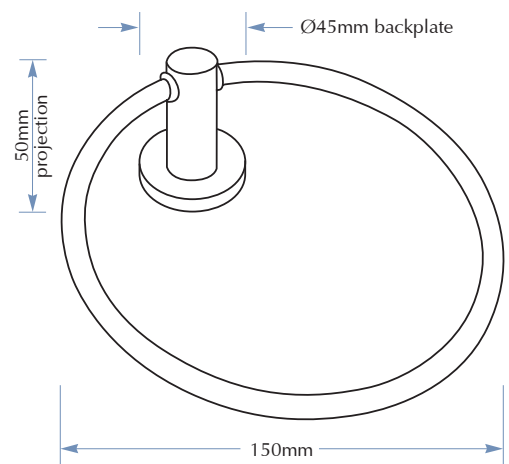
### PRODUCT DATA:

#### CONSTRUCTION:

Units are die cast chrome plated with 45mm diameter backplates and concealed fixing.

#### INSTALLATION:

Secure to wall with mounting screws (included) at holes provided.



1300 364 561

The manufacturer reserves the right to make changes in design and material without formal notice and without incurring obligation.