

PRODUCT FEATURES:

- Chrome plated cast alloy Washbar[®] Duo includes touch-free soap and water.
- WashBar technology intuitively guides user and eliminates simultaneous activations.
- Available with foam or liquid soap.
- Washbar[®] Duo comes complete with supply hoses and soap dispenser components.
- Available in polished chrome or with optional in-stock PVD finishes.

Finishes

	Polished Chrome
	Brushed Black Stainless*
	Brushed Stainless*
	Brushed Bronze*
	Brushed Brass*
	Brushed Nickel*

*PVD finishes also available: Physical Vapour Deposition is an intricate, environmentally friendly finishing process that molecularly bonds the finish to the faucet, creating a very hard, durable surface that will not corrode, discolour or tarnish.

PRODUCT DATA:

SPECIFICATIONS:

The single piece WashBar Duo allows users to access soap and water without leaving the hand washing station. The unit handles washroom traffic quickly and economically, while providing each user with personal space

Serves the American Disabilities Act and ICC/ANSI 117.1 guidelines, citations 306, 308, 309.4, 606.4, 606.5 when installed according to these requirements. Consult local codes and standards. Conformity and compliance to local and national codes is the responsibility of the installer. Verify all rough-in dimensions prior to installation.

This plumbing fixture is designed for hand washing only. It is not intended to dispense water for human consumption through drinking or for preparation of food or beverages.

of 1-2 seconds to aid in a smooth, controlled hand-washing and drying operation. WashBar Duo sensors are not affected by varying skin tones or darkness. Smart technology allows the facilities manager or maintenance staff to clean and configure with ease.

Cleaning Mode

WashBar Duo has an activation feature to put the unit into cleaning mode to allow for easy cleaning of WashBar Duo and the basin without activating the functions.

Configuration Mode

Configuration mode easily allows the system light brightness and soap type to be changed.

CONSTRUCTION:

WashBar Duo

WashBar Duo includes touch-free soap and water. Load tested to 500 pounds, WashBar Duo is secured to the basin with two anti-rotational shanks. Blue LED lights help guide the user to WashBar Duo, indicating the functions. The LED light will change from blue to green to signify that the function is in use. Each function is easily identified by the corresponding icon on WashBar Duo's top surface. Each sensor includes a turn-off delay

Product Data continued on Page 2

Soap Dispensers

The soap dispenser is located on the left side of the WashBar Duo, eliminating any soap from dripping on counters or onto the floor, minimizing slip hazards and allows for easy cleaning. Choose between a foam or liquid soap dispenser, which are compatible with most bulk soaps. Soap system accommodates up to a 1 gallon container to reduce the number of soap replacements. When the LED light above the soap function turns to solid red, simply reset the soap counter and then check the level and replace the soap container with a full container if necessary. The soap system includes an adapter to fit many 1 gallon soap containers available on the market.

Faucet

Faucet is located on the right side of WashBar Duo and has a spray angle of approximately 17 degrees off the vertical. Comes standard with a 0.5 gpm (1.90 Lpm), 0.09 gpc (0.35 Lpc), or 0.35gpm (1.30 Lpm), 0.05 gpc (0.25 Lpc) PCA silicone tip, non-aerated spray pattern with a maximum run time of 11 seconds per activation. Automatic 5 second purge within 24 hours of the last use. Recommended operating range is 20-80 psi.

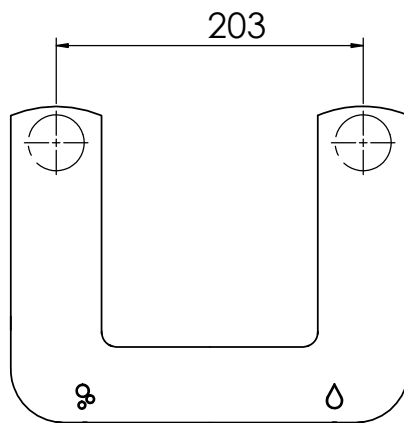
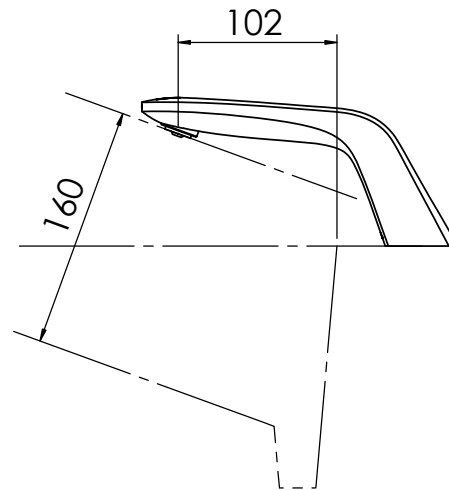
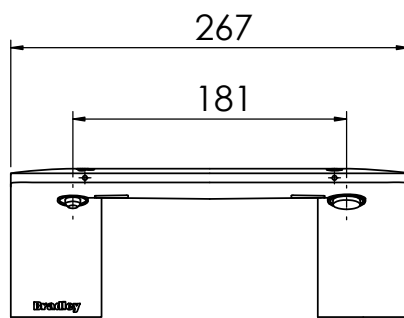
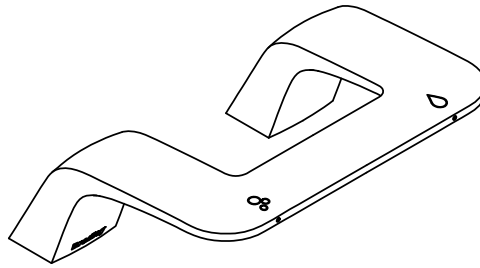
Electrical

Each WashBar Duo is powered by one 120V, 2A, 12VDC adapter that plugs directly into the electrical outlet.

Finishes

	Polished Chrome
	Brushed Black Stainless*
	Brushed Stainless*
	Brushed Bronze*
	Brushed Brass*
	Brushed Nickel*

*PVD finishes also available:
Physical Vapour Deposition is an intricate, environmentally friendly finishing process that molecularly bonds the finish to the faucet, creating a very hard, durable surface that will not corrode, discolour or tarnish.



Bradley AUSTRALIA customised excellence	
DWG NO.	WBD1
APPROVED BY:	
Proudly customised design please approve	SCALE:1:5